



10 MHz OCXO Reference

- High stability
- Low phase noise

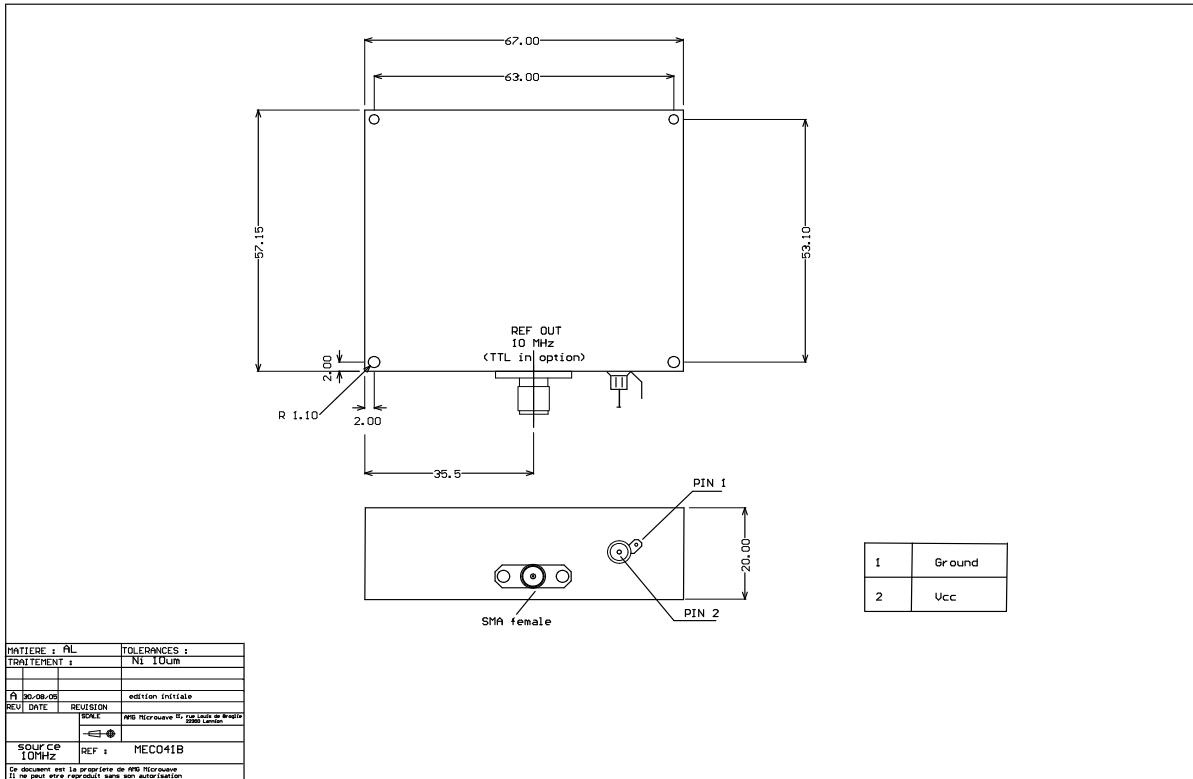
Option

- TTL or CMOS output available

Typical Performance Specifications

Electrical specifications		Unit
Frequency	10	MHz
Stability (-20 +70°C)	+/- 5.10-9	
Short term stability(Allan variance)	+/- 5.10-12	1s 10s
Aging	+/- 5.10-8	/an
Pulling	<+/- 5.10-10	
Pushing	<+/- 5.10-10	
Output Power	3	dBm
Phase Noise@10Hz	-120	dBc/Hz
Phase Noise@100Hz	-140	dBc/Hz
Phase Noise@1KHz	-145	dBc/Hz
Phase Noise@10KHz	-150	dBc/Hz
Harmonics	-30	dBc
Spurious	-70	dBc
RF output	Sine wave	
Warm up time (+/-1.10-7 @25°C)	2	min
Frequency tuning (mechanical)	>+/- 5.10-7	
Supply Voltage		
Voltage	12+/-0.5	V
Typical warm up current	600	mA
Typical steady state current	200	mA
Mechanical specifications		
Size (MEC041B)	67 x 57 x 20	mm
Connector	SMA femelle	
Environnement		
Operating temperature	-20 à +70	°C
Storing temperature	-40 à +80	°C

Outline drawing



DISCLAIMER :

Different technical specifications are possible upon request, AMG reserves the right to make modifications to the design and characteristic of the product at any times and without prior notice