

PLDRO

- Fixed frequency oscillator
- Dual loop
- Internal reference
- Very low phase noise
- low size

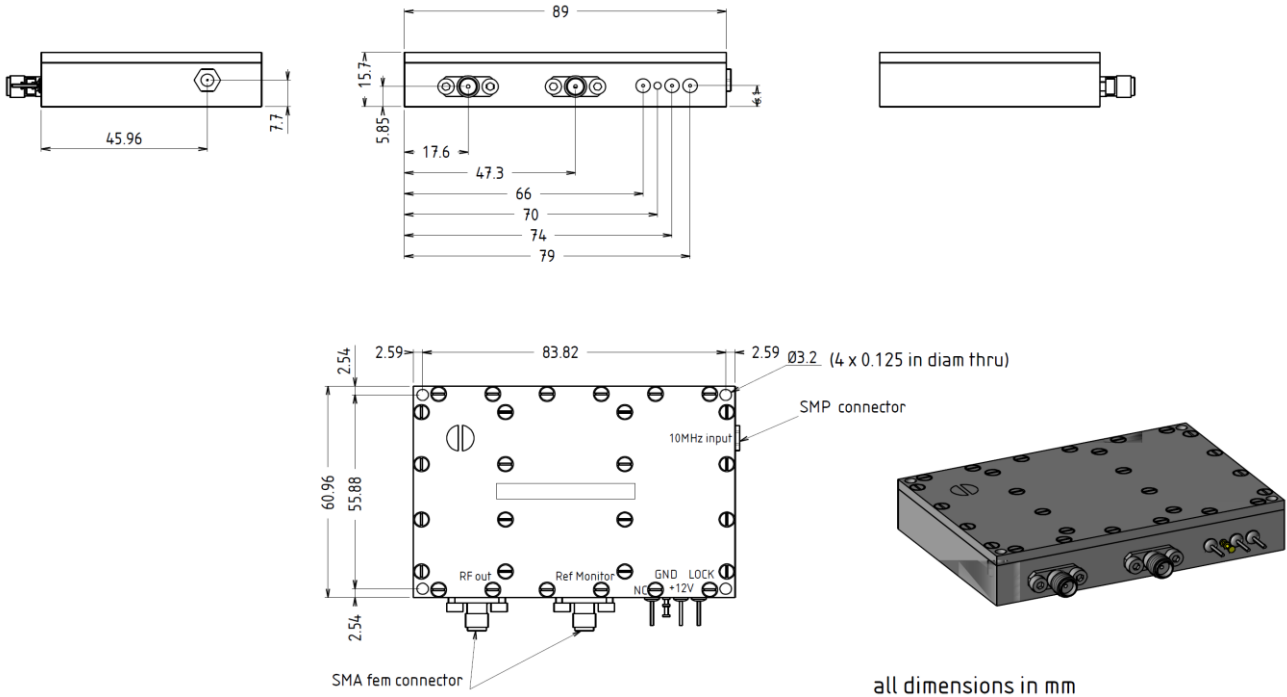
Option

- External reference (100MHz)
- +/- 2 ppm internal reference

Typical Performance Specifications

Electrical specifications		Unit
Fixed frequency in the range of	7 to 18	GHz
External frequency reference	10	MHz
Frequency stability	same as reference	ppm
<hr/>		
Output Power	10+/-2	dBm
Power variation over temp.	<2	dB
<hr/>		
Phase Noise@1KHz at 10GHz	<-80	dBc/Hz
Phase Noise@10KHz at 10GHz	<-90	dBc/Hz
Phase Noise@100KHz at 10GHz	<-95	dBc/Hz
<hr/>		
Spurious	<-70	dBc typ
Harmonics	<-25	dBc typ
<hr/>		
Alarm lock	locked= 3.3V, unlocked=ground	
<hr/>		
Supply Voltage		
Voltage	15	V
Typical Current	350	mA
<hr/>		
Mechanical specifications		
Size	61 x 89 x 15.7	mm
RF and Ref Out Mon connectors	SMA female	
10MHz ref input connector	SMP (with male center contact)	
Supply voltage, alarm, ground, output tuning	Solder pin	
<hr/>		
Environment		
Operating temperature	-20 à +70	°C
Storing temperature	-40 à +80	°C
Vibration (survival)	5 to 25Hz : 1.5mm full swing	
	25 to 35Hz : 0.5mm full swing	
Shock (survival)	MIL -E- 16400G cf : 3.3.5.13	
Humidity	MIL -E- 16400G cf : 3.3.5.13	
	95% RH at +45°C	

outline drawing



all dimensions in mm

case material : aluminium nickel plated
 SMA connectors : stainless

DISCLAIMER :

Different technical specifications are possible upon request, AMG reserves the right to make modifications to the design and characteristic of the product at any times and without prior notice